



SecurView SV-6710 / SV-6711 High Resolution CCD Color Reverse Cameras
Installation Guide

FEATURES:

- High resolution Color CCD camera.
- Water, Vibration, and Shock proof aluminum housing
- Mounts through any smooth flat surface up to ½ thick
- 130 degree wide viewing angle
- Mirror imaging built-in
- Low light capability (1 Lux)
- Custom mount in your rear bumper, valance, tailgate, liftgate or overhead locations.
- Mounting Hardware & Cables Included
- Universal mount chassis and bracket (Included on SV-6710 H / SV-6711 H only)

SPECIFICATIONS:

1/3 CCD

Size: 1.7 x 1.7 x 1.9"
(44 x 44 x 48mm)

Weight 4.6 Oz. (128 G)

Pixels: 512 (H) x 492 (V)

Resolution: Up to 250,000 pixels
More than 330 TV lines

Minimum Illumination: 1 LUX / F 1.2

Lens Type: Wide Angle Pinhole

Horizontal Angle: 130

Vertical Angle: 110

Video Output: 1.0 V P-P composite (75 Ohm load)

Supply Voltage: +12VDC

Power Consumption: 180mA typ.

Electronic Shutter: 1/60 s – 1/100000s

White Balance: Automatic

Gamma Correction: 0.45

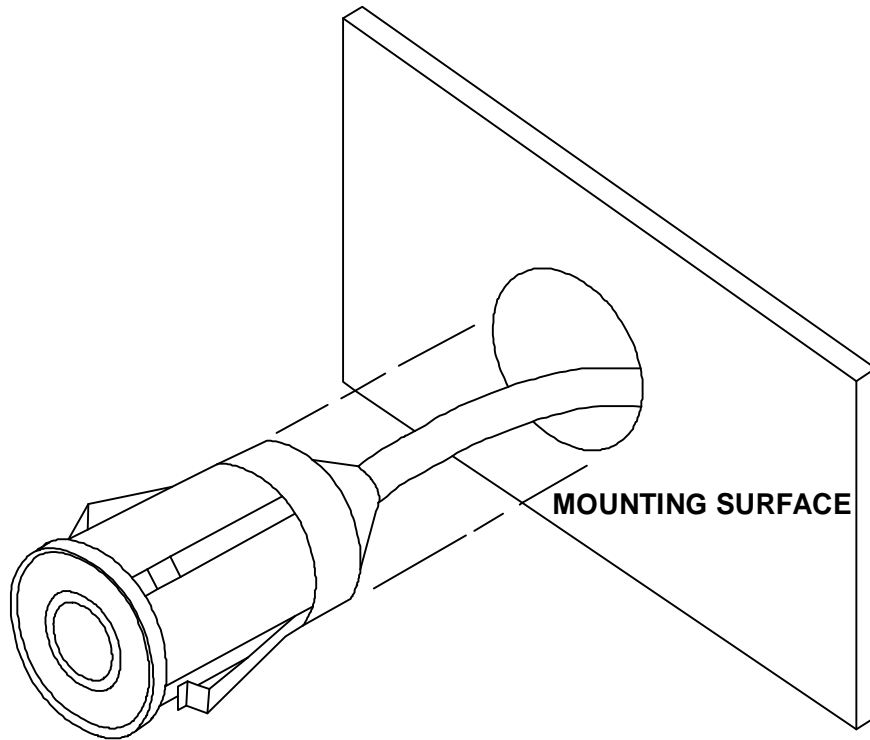
S/N Ratio: More than 48dB

Operating Temp: -13 to 185 F (-25 to 85 C)

Gain Control: Automatic

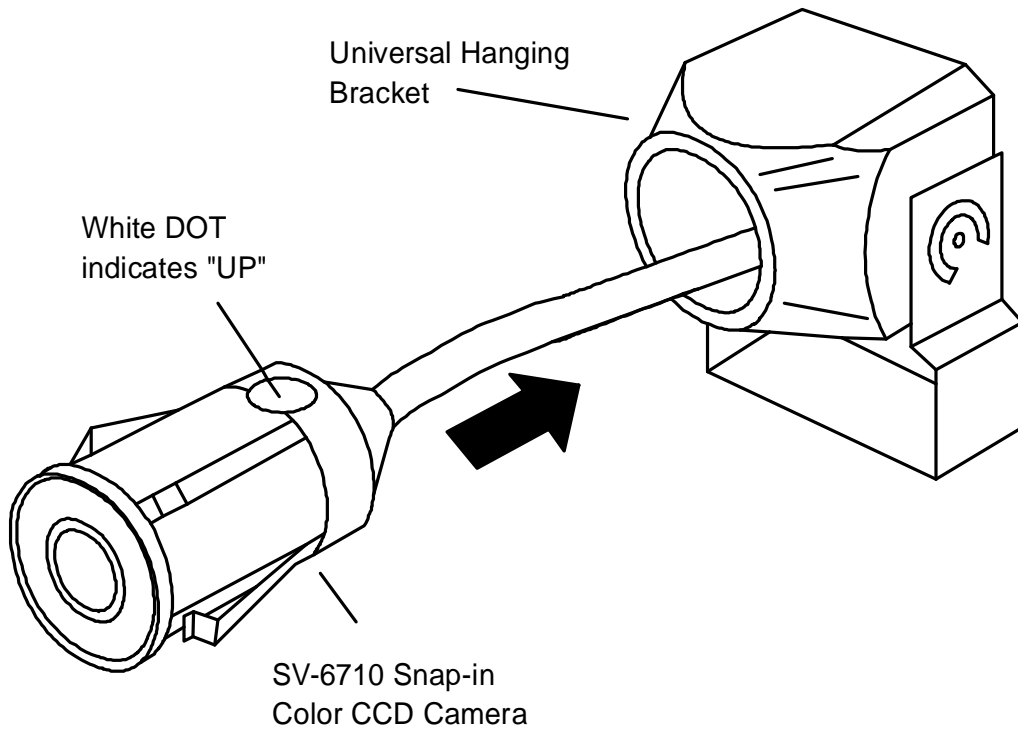
Digital Signal Processor w/10 Bit A/D Converter

INSTALLATION DIAGRAMS: SV-6710B



**SV-6710 Panel/Bumper
Snap-in installation**

INSTALLATION DIAGRAMS: SV-6710H

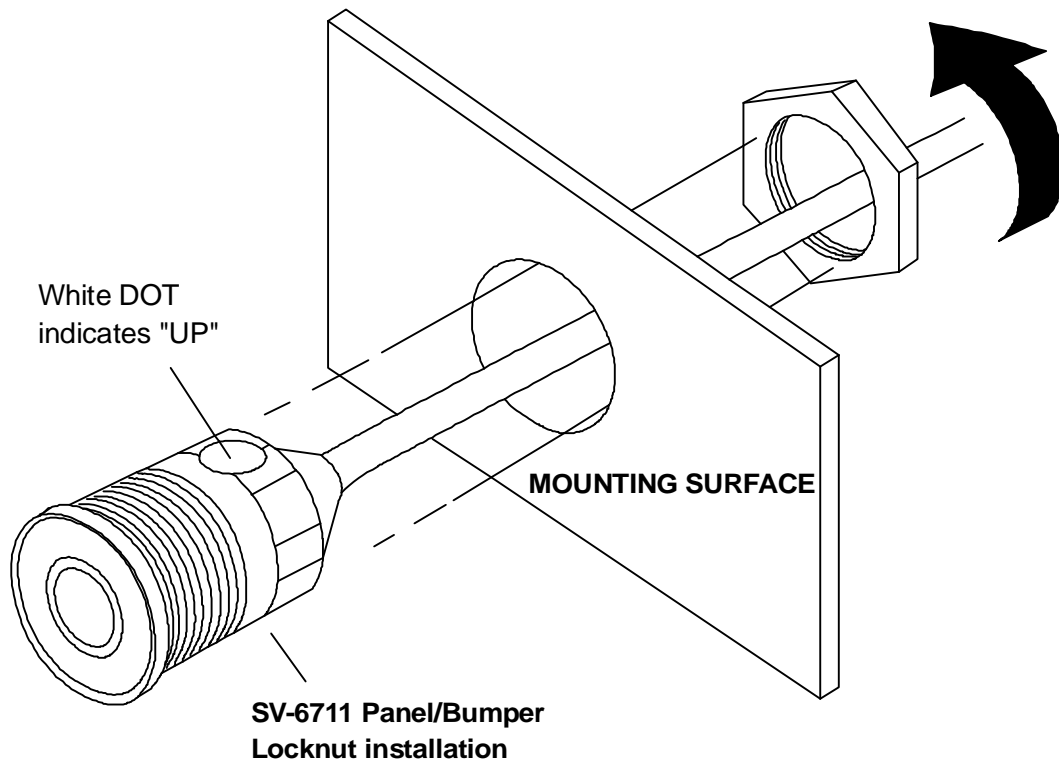


White DOT
indicates "UP"

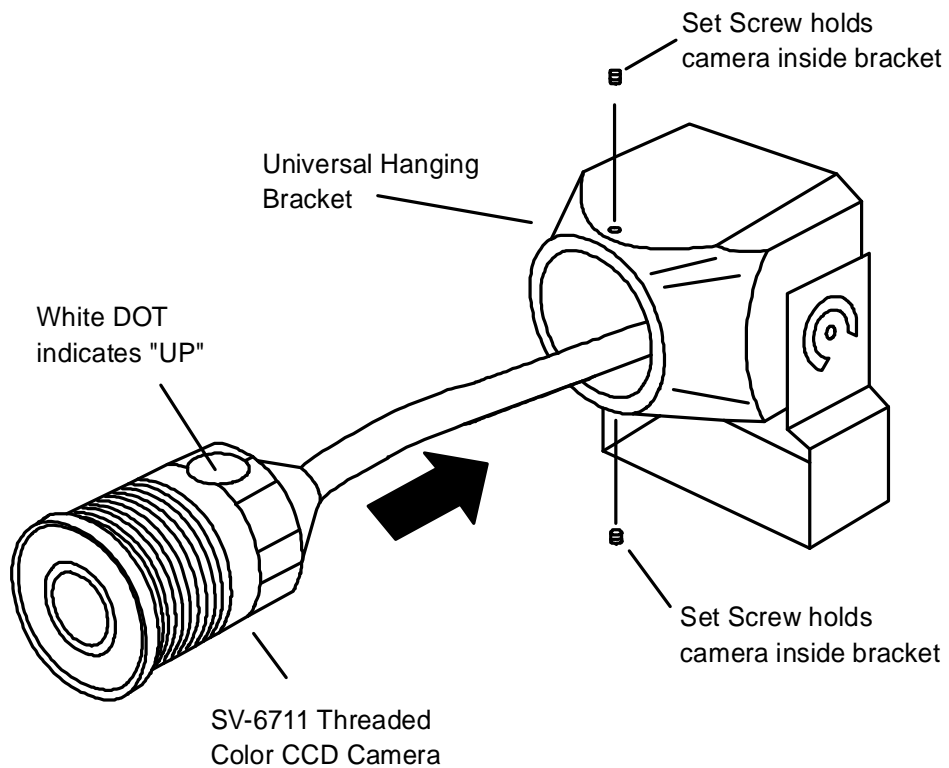
Universal Hanging
Bracket

SV-6710 Snap-in
Color CCD Camera

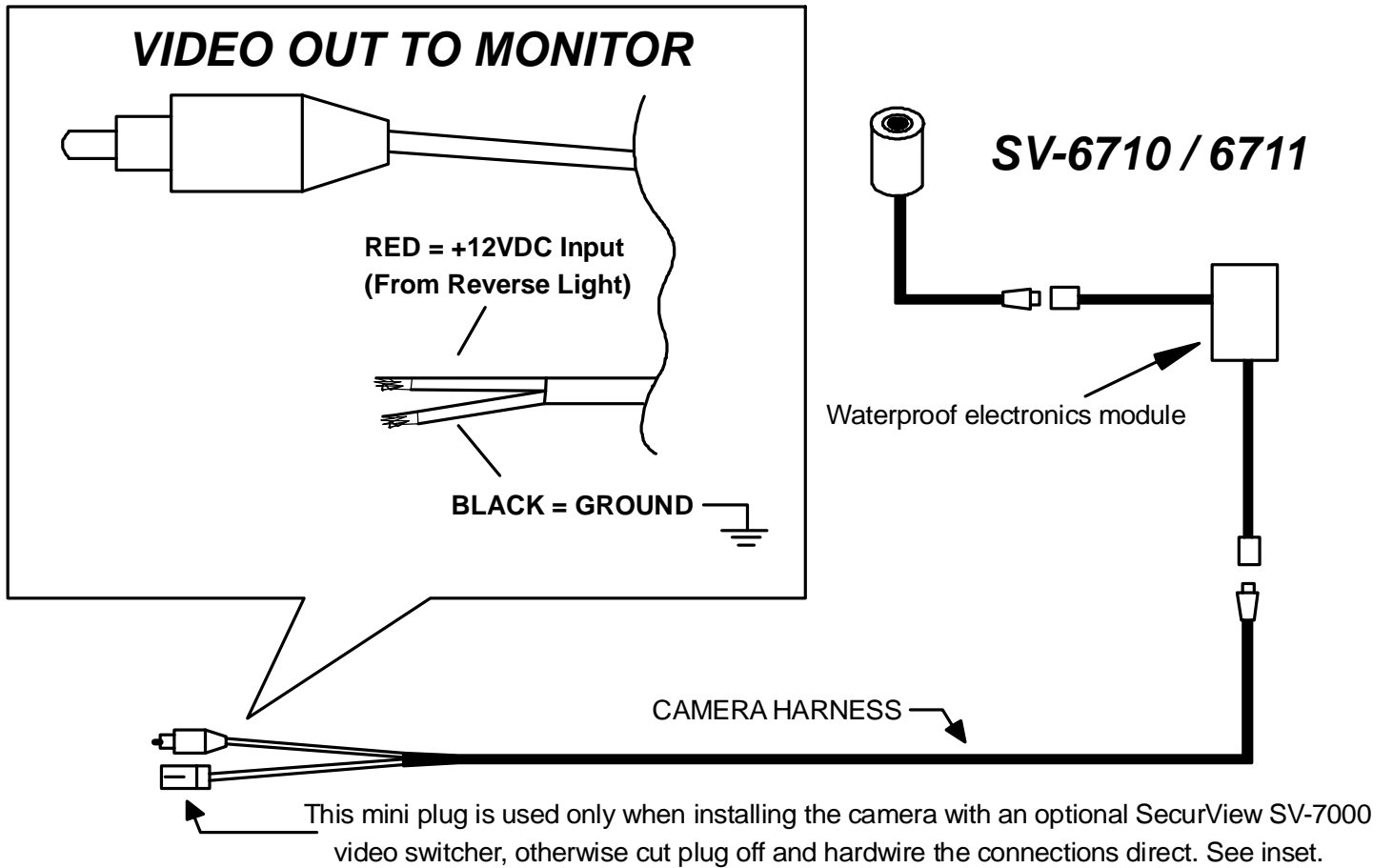
INSTALLATION DIAGRAMS: SV-6711B



INSTALLATION DIAGRAMS: SV-6711H



CONNECTIONS:



CRIMESTOPPER

Crimestopper Security Products Inc.
1770 S. Tapo St.
Simi Valley, CA 93063
(800) 998-6880
www.crimestopper.com
email@crimestopper.com